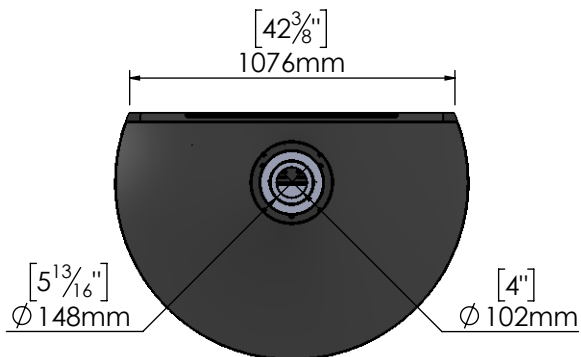
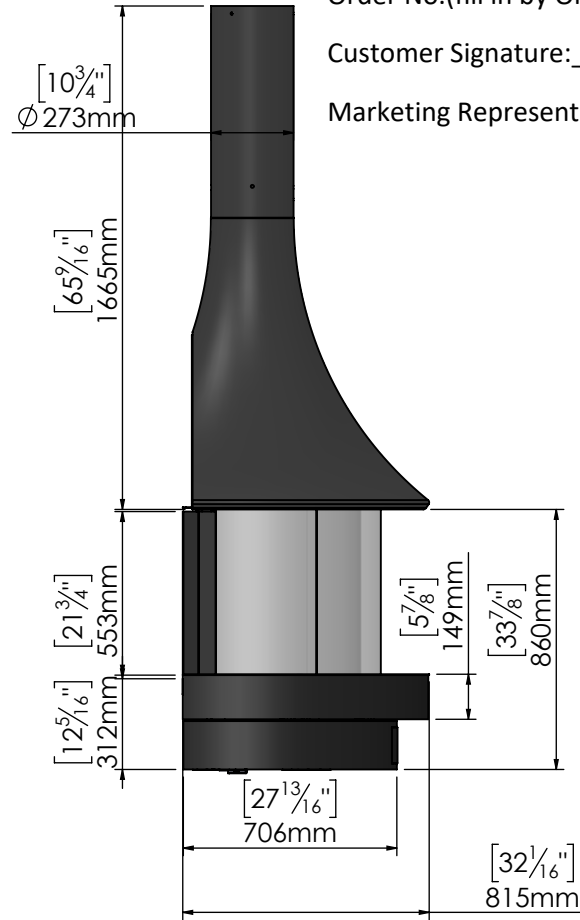
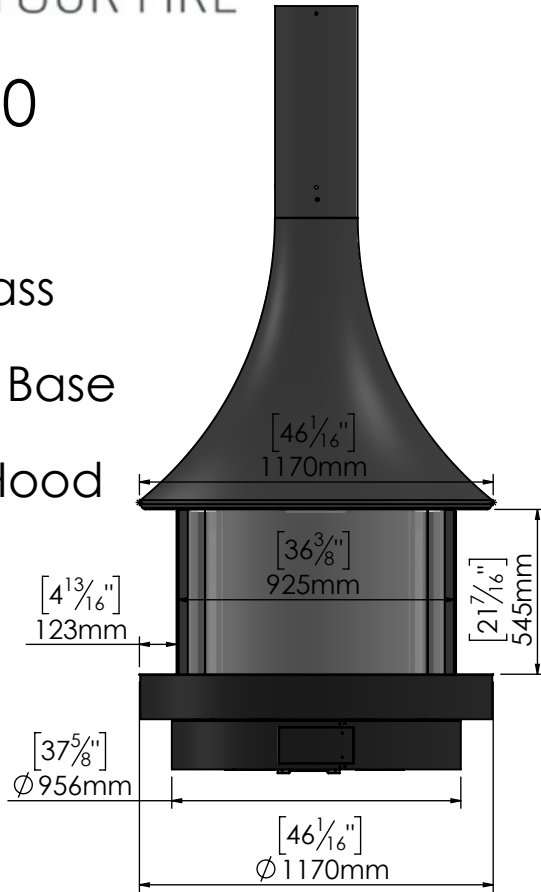


Circle 70 270

Double Glass

Double Level Base

Decorative Hood



Please Note:

Order No.(fill in by Ortal): _____

Customer Signature: _____ Date: _____

Marketing Representative Signature: _____ Date: _____

