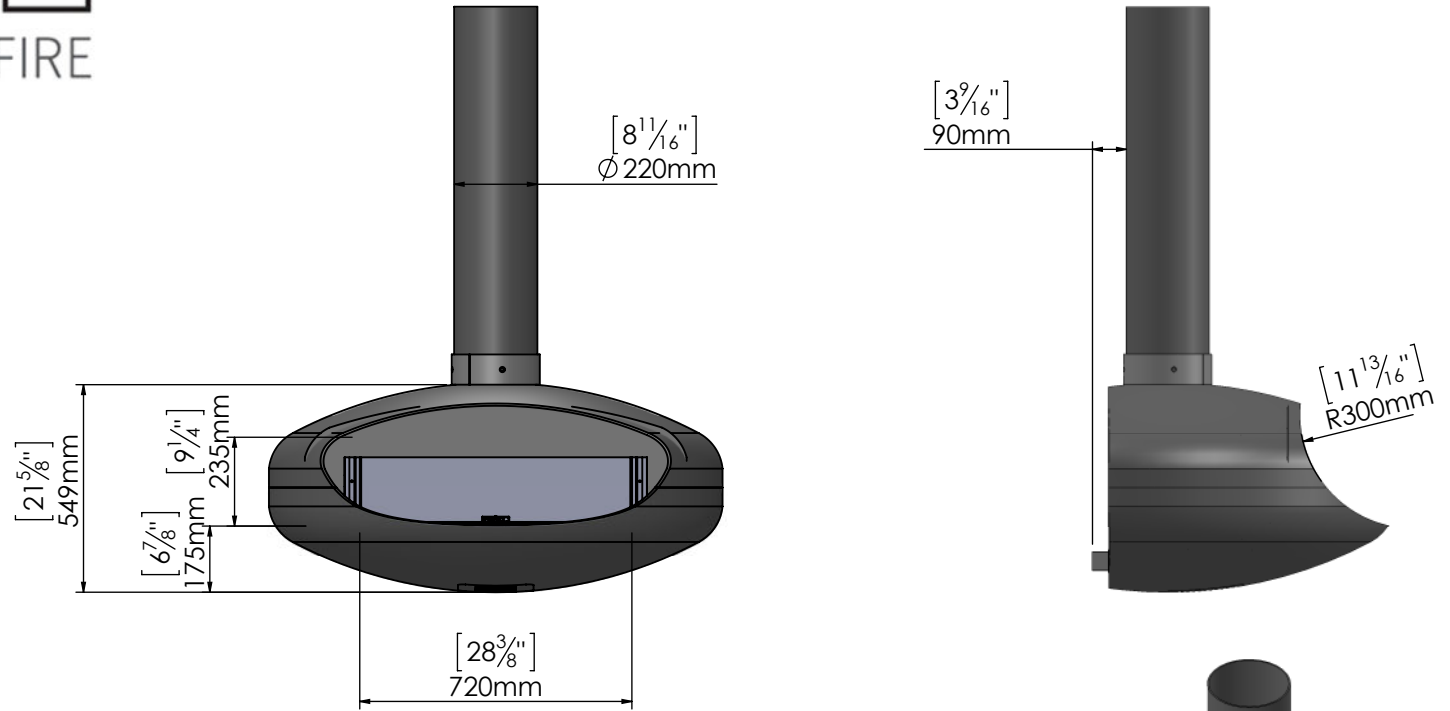
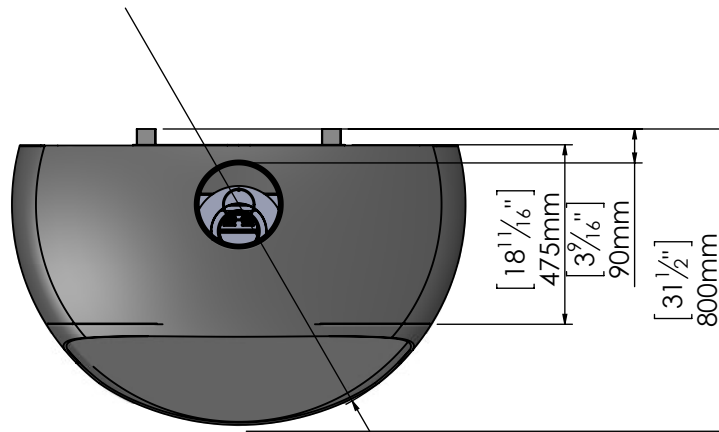


OVAL 120
WALL MOUNTED
FRONT



Service door



Φ $[47\frac{1}{4}"]$
1200mm



FirePlace weight : 200Kg
Weight of every meter of chimney: 20Kg